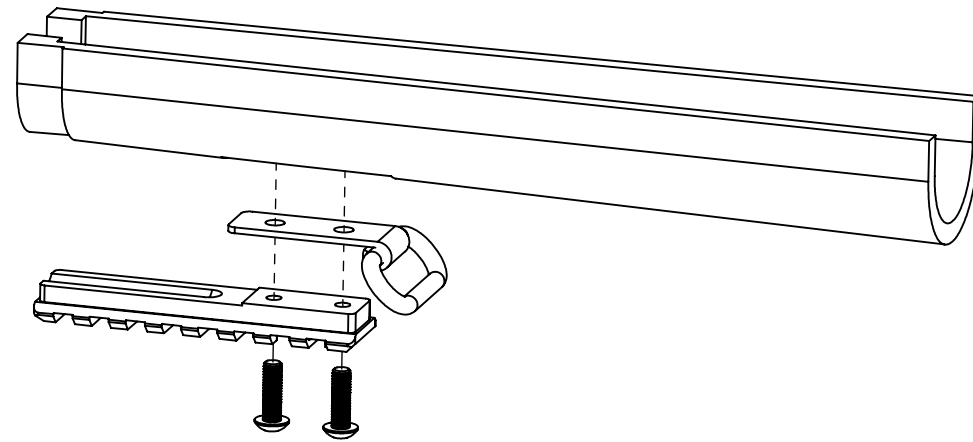
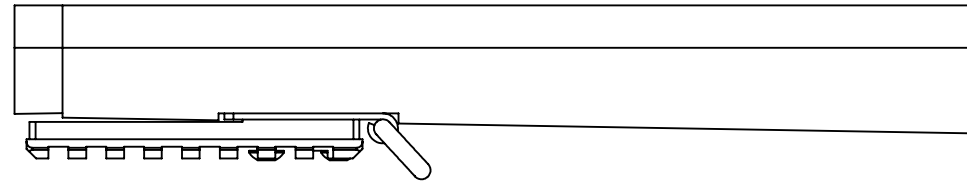


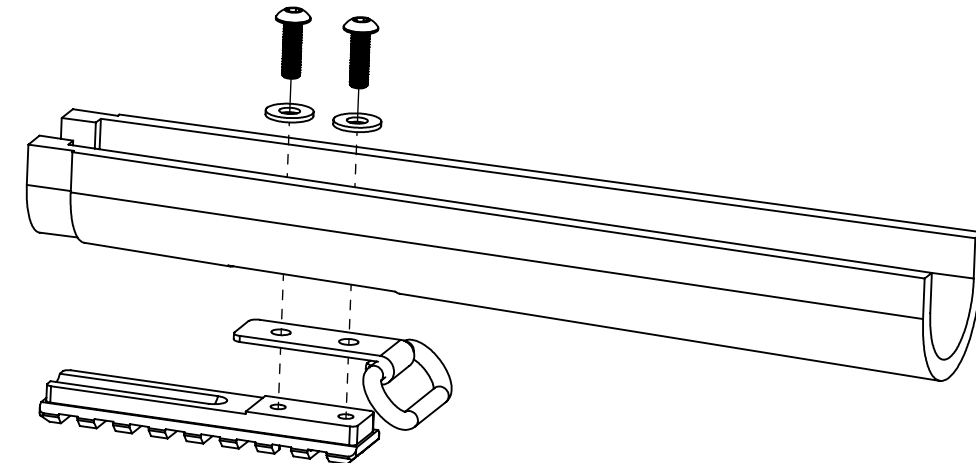
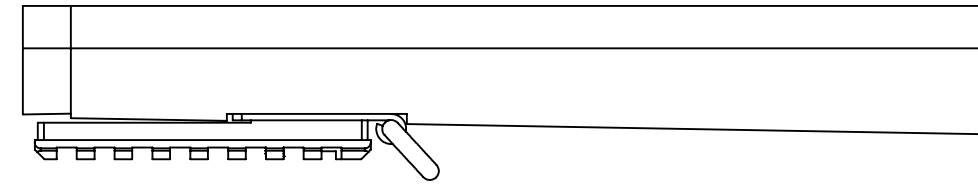
A-3025 Front Rail Kit

STOCK WITH BRASS THREADED INSERTS SECURING THE SLING SWIVEL TO THE STOCK.



1. REMOVE SCREWS SECURING SLING SWIVEL TO STOCK.
2. RUN SCREWS THROUGH RAIL, THROUGH SLING SWIVEL, INTO THREADED INSERTS IN STOCK.
3. NOTE: IT MAY BE NECESSARY TO DRILL THREADS OUT ON RAIL WITH A 3/16 DRILL BIT FOR THE RAIL TO DRAW TIGHT AGAINST THE STOCK.
3. DO NOT USE PROVIDED WASHERS.

STOCK WITH RIVETS SECURING THE SLING SWIVEL TO THE STOCK.



1. DRILL RIVETS OUT.
2. RUN SCREWS DOWN THROUGH STOCK THROUGH SLING SWIVEL INTO RAIL.
3. USE PROVIDED WASHERS AS SHOWN.